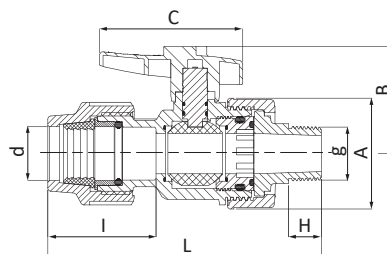


## CODE 1072

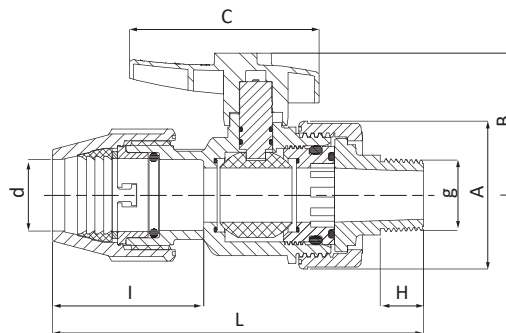
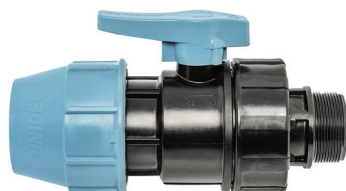


Valvola a sfera a compressione filettata maschio



CODE	DIM dxg [mmxin.]	L [mm]	I [mm]	H [mm]	A [mm]	B [mm]	C [mm]	Pmax [bar]	PACK	
									RIF. 2	RIF. 5
1072020002001	20x1/2"	133	54	16	50	51	68	16	40	-
1072025003001	25x3/4"	149	57	17	60	60	76	16	25	-
1072032004001	32x1"	166	64	20	68	67	89	16	-	55
1072040005001	40x1 1/4"	208	82	23	80	77	100	16	-	35

>>>



>>>

1072051006001	50x1 1/2"	245	110	23	96	88	116	16	-	20
1072064007001	63x2"	273	130	27	116	100	127	16	-	15