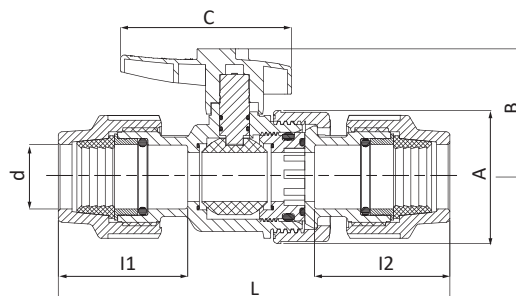
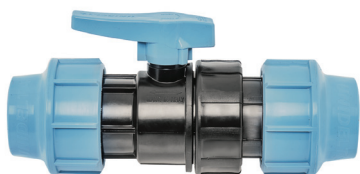


CODE 1070

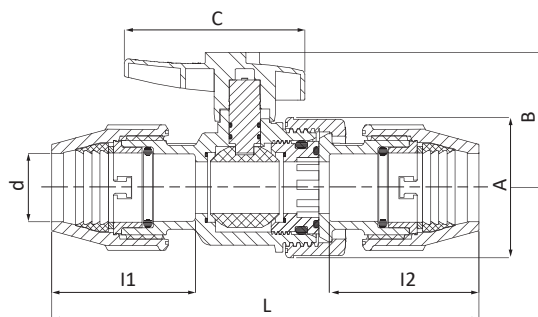


Valvola a sfera a compressione



CODE	DIM dxd [mm]	L [mm]	I1 [mm]	I2 [mm]	A [mm]	B [mm]	C [mm]	Pmax [bar]	PACK	
									RIF. 2	RIF. 5
1070020000001	20x20	161	54	57	50	51	68	16	30	-
1070025000001	25x25	180	57	64	60	60	76	16	20	-
1070032000001	32x32	201	64	70	68	67	89	16	-	45
1070040000001	40x40	246	82	90	80	77	100	16	-	25

>>>



>>>

1070051000001	50x50	303	110	110	96	88	116	16	-	15
1070064000001	63x63	342	115	126	116	100	127	16	-	10
1070076000001	75x75	420	145	154	165	123	155	10	-	5
1070091000001	90x90	460	160	182	190	150	182	10	-	2

New