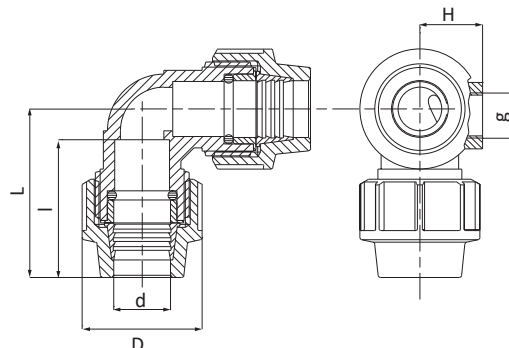


CODE 1023



Gomito a 90° con derivazione laterale femmina

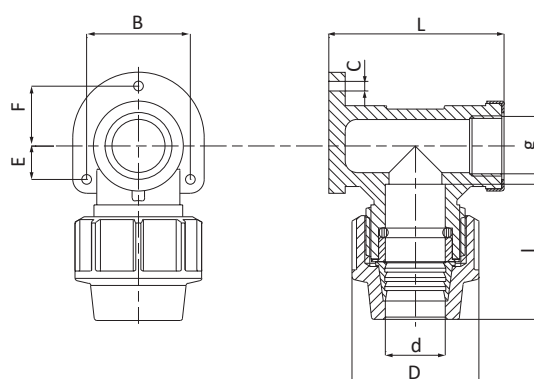


CODE	DIM dx dxg [mmxin.]	D [mm]	L [mm]	I [mm]	H [mm]	PN [bar]	PACK RIF. 2
1023025002001	25x25x1/2"	55	79	63	30	16	25
1023032002001	32x32x1/2"	63	88	71	35	16	20
1023032003001	32x32x3/4"	63	88	71	36	16	20

CODE 1034



Raccordo murale a gomito



CODE	DIM dxg [mmxin.]	D [mm]	L [mm]	I [mm]	C [mm]	B [mm]	E [mm]	F [mm]	PN [bar]	PACK RIF. 2
1034020002001	20x1/2"	46	62	49	4	38	12	22	16	55
1034025002001	25x1/2"	55	74	64	4	45	21	32	16	35
1034025003001	25x3/4"	55	75	59	4	44	15	27	16	35
1034032004001	32x1"	63	81	68	4	56	20	28	16	25

New