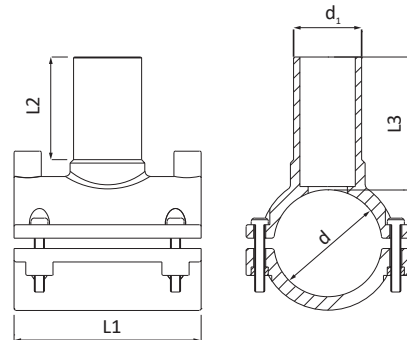


CODE 3216



Collare a tronchetto
PE100 - S5 Gas - PN 16 20°C



PE100 - SDR11 - S5
ACQUA: PFA (PN)=16 bar 20°C
GAS: MOP=10 bar; In Italia MOP=5 bar
(D.M. 24/11/84, D.M. 16/4/2008 e successive modifiche)

CODE	DIM dx d ₁ [mm]	L1 [mm]	L2 [mm]	L3 [mm]	W-SDR	PACK
3216025063001	63x25	100	65	70	≤ 17	1
3216025075001	75x25	120	65	70	≤ 17	1
3216025090001	90x25	125	65	70	≤ 17	1
3216025110001	110x25	155	65	70	≤ 17	1
3216025125001	125x25	160	65	70	≤ 17	1
3216025160001	160x25	160	65	70	≤ 17	1
3216032063001	63x32	110	56	74	≤ 17	16
3216032075001	75x32	125	63	156	≤ 17	16
3216032090001	90x32	126	56	76	≤ 17	24
3216032110001	110x32	160	56	79	≤ 17	14
3216032125001	125x32	160	57	80	≤ 17	12
3216032140001	140x32	160	63	150	≤ 17	8
3216032160001	160x32	190	56	84	≤ 17	6
3216032180001	180x32	160	63	145	≤ 17	5
3216032200001	200x32	160	63	146	≤ 17	5
3216032225001	225x32	160	63	151	≤ 17	4
3216032250001	250x32	190	56	79	≤ 17	4

>>>



>>>

CODE	DIM dxd ₁ [mm]	L1 [mm]	L2 [mm]	L3 [mm]	W-SDR	PACK
3216050090001*	90x50	125	65	85	≤ 17	1
3216050110001*	110x50	155	65	85	≤ 17	1
3216050125001*	125x50	160	65	85	≤ 17	1
3216050140001*	140x50	160	65	85	≤ 17	1
3216050160001*	160x50	160	65	85	≤ 17	1

3216063090001	90x63	126	75	105	≤ 17	15
3216063110001	110x63	160	75	105	≤ 17	10
3216063125001	125x63	160	75	108	≤ 17	9
3216063140001	140x63	160	108	148	≤ 17	7
3216063160001	160x63	190	75	108	≤ 17	5
3216063180001	180x63	160	108	143	≤ 17	5
3216063200001	200x63	160	108	144	≤ 17	5
3216063225001	225x63	160	108	149	≤ 17	4
3216063250001	250x63	190	75	108	≤ 17	3

3216090125001	125x90	190	90	128	≤ 17	6
3216090160001	160x90	190	90	128	≤ 17	4
3216090180001	180x90	190	90	128	≤ 17	4
3216090200001	200x90	250	90	135	≤ 17	4
3216090250001	250x90	196	101	119	≤ 17	3

* Produzione solo per lotti minimi da concordare con l'ufficio commerciale