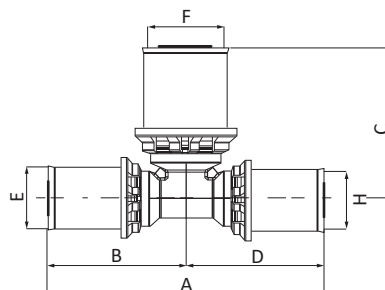
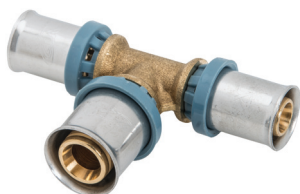


## CODE 4029



Ti a 90° con derivazione maggiorata

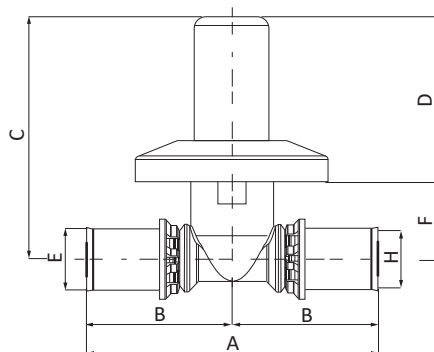


CODE	DIM [mm]	A [mm]	B [mm]	C [mm]	D [mm]	E [mm]	F [mm]	H [mm]	BAG [UMV]	BOX
4029162016001	16x20x16	90	45	42	45	16x2,0	20x2,0	16x2,0	2	16
4029202620001	20x26x20	96	48	56	48	20x2,0	26x3,0	20x2,0	2	12

## CODE 4016



Rubinetto con rosone



CODE	DIM [mm]	A [mm]	B [mm]	C [mm]	D [mm]	E [mm]	F [mm]	H [mm]	BAG [UMV]	BOX
4016161600001	16x16	90	45	84	55	16x2,0	29	16x2,0	1	6
4016202000001	20x20	90	45	84	55	20x2,0	29	20x2,0	1	6