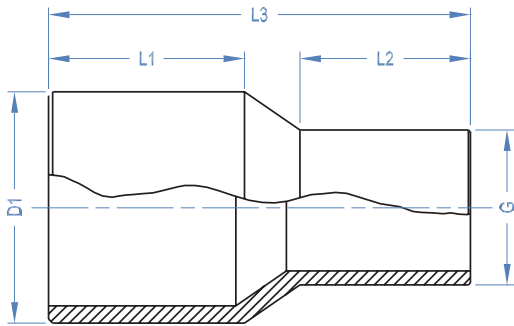


TECHNICAL SHEETS

COD. 3140



RIDUZIONE TESTA A TESTA
BUTT FUSION REDUCER



PE100 - SDR11 - S5

ACQUA: PFA (PN)=16 bar 20°C

GAS: MOP=10 bar; In Italia MOP=5 bar (D.M. 24/11/84 e successive modifiche)

WATER: PFA (PN)=16 bar 20°C

GAS: MOP=10 bar; In Italy MOP=5 bar (D.M. 24/11/84 and further modification)

COD	D1xG	L1	L2	L3
3140025020001	25x20	49	50	113
3140032020001	32x20	54	52	124
3140032025001	32x25	49	47	102
3140040020001	40x20	60	52	130
3140040025001	40x25	60	54	128
3140040032001	40x32	61	48	125
3140050025001	50x25	59	59	133
3140050032001	50x32	59	60	132
3140050040001	50x40	61	61	134
3140063025001	63x25	64	55	140
3140063032001	63x32	64	63	143
3140063040001	63x40	67	57	138
3140063050001	63x50	64	57	133
3140075040001	75x40	72	60	147
3140075050001	75x50	73	59	148
3140075063001	75x63	73	67	154
3140090050001	90x50	82	61	163
3140090063001	90x63	81	70	168
3140090075001	90x75	80	70	164
3140110063001	110x63	85	71	188
3140110075001	110x75	86	73	173
3140110090001	110x90	86	81	181
3140125075001	125x75	89	73	177
3140125090001	125x90	88	82	184
3140125110001	125x110	92	85	190
3140140090001	140x90	94	82	208
3140140110001	140x110	94	85	193
3140140125001	140x125	93	89	196
3140160090001	160x90	101	81	212
3140160110001	160x110	100	83	210
3140160125001	160x125	101	91	206
3140160140001	160x140	101	92	208
3140180125001	180x125	107	88	220
3140180140001	180x140	105	96	223
3140180160001	180x160	104	102	224
3140200140001	200x140	117	95	230
3140200160001	200x160	117	101	231
3140200180001	200x180	117	109	236
3140225160001	225x160	132	120	292
3140225180001	225x180	132	125	285
3140225200001	225x200	132	130	277
3140250180001	250x180	138	130	307
3140250200001	250x200	138	134	301
3140315225001	315x225	175	140	393
3140315250001	315x250	175	150	381