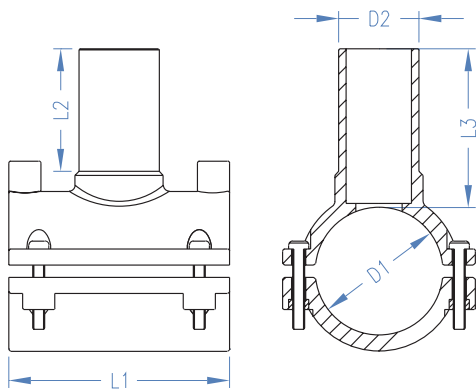


TECHNICAL SHEETS

COD. 3214

COLLARE A TRONCHETTO PN 10
UNDERCLAMP BRANCH SADDLE PN 10

COD	D1xD2	L1	L2	L3	W-SDR
3214090200001	200x90	190	90	128	≤17,6
3214090225001	225x90	190	90	128	≤17,6
3214090250001	250x90	190	90	128	≤17,6



PE100 - SDR11 - S5

ACQUA: PFA (PN)=10 bar 20°C

GAS: MOP=10 bar; In Italia MOP=5 bar (D.M. 24/11/84 e successive modifiche)

WATER: PFA (PN)=10 bar 20°C

GAS: MOP=10 bar; In Italy MOP=5 bar (D.M. 24/11/84 and further modification)