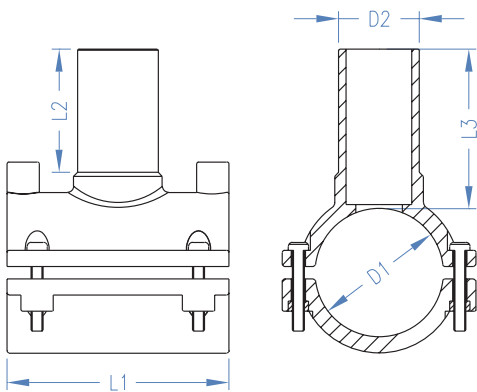


TECHNICAL SHEETS

COD. 3216

COLLARE A TRONCHETTO PN 16
UNDERCLAMP BRANCH SADDLE PN 16



PE100 - SDR11 - S5

ACQUA: PFA (PN)=16 bar 20°C

GAS: MOP=10 bar; In Italia MOP=5 bar (D.M. 24/11/84 e successive modifiche)

WATER: PFA (PN)=16 bar 20°C

GAS: MOP=10 bar; In Italy MOP=5 bar (D.M. 24/11/84 and further modification)

COD	D1xD2	L1	L2	L3	W-SDR
3216032063001	63x32	110	56	74	≤17,6
3216032075001	75x32	125	63	156	≤17,6
3216032090001	90x32	126	56	76	≤17,6
3216032110001	110x32	160	56	79	≤17,6
3216032125001	125x32	160	57	80	≤17,6
3216032140001	140x32	160	63	150	≤17,6
3216032160001	160x32	190	56	84	≤17,6
3216032180001	180x32	160	63	145	≤17,6
3216032200001	200x32	160	63	146	≤17,6
3216032225001	225x32	160	63	151	≤17,6
3216032250001	250x32	190	56	79	≤17,6

COD	D1xD2	L1	L2	L3	W-SDR
3216063090001	90x63	126	75	105	≤17,6
3216063110001	110x63	160	75	105	≤17,6
3216063125001	125x63	160	75	108	≤17
3216063140001	140x63	160	108	148	≤17,6
3216063160001	160x63	190	75	108	≤17,6
3216063180001	180x63	160	108	143	≤17,6
3216063200001	200x63	160	108	144	≤17,6
3216063225001	225x63	160	108	149	≤17,6
3216063250001	250x63	190	75	108	≤17,6

COD	D1xD2	L1	L2	L3	W-SDR
3216090125001	125x90	190	90	128	≤17,6
3216090160001	160x90	190	90	128	≤17,6
3216090180001	180x90	190	90	128	≤17,6