



CURVA A 45°

ELBOW 45°

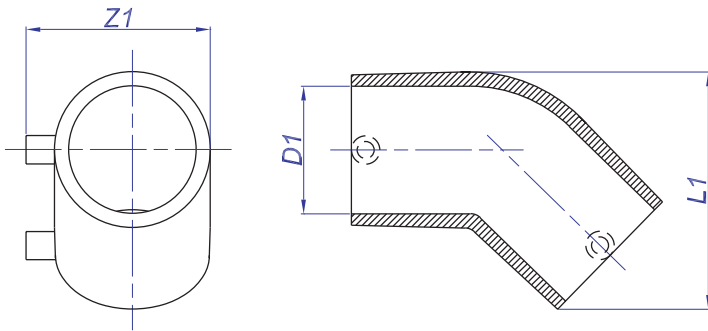
PE100 - SDR11 - S5

ACQUA: PFA (PN)=16 bar 20°C

GAS: MOP=10 bar; In Italia MOP=5 bar (D.M. 24/11/84 e successive modifiche)

WATER: PFA (PN)=16 bar 20°C

GAS: MOP=10 bar; In Italy MOP=5 bar (D.M. 24/11/84 and further modification)



COD	D1	L1	Z1	W-SDR
3005032000001	32	82	64	≤ 11
3005040000001	40	100	74	≤ 17.6
3005050000001	50	110	86	≤ 17.6
3005063000001	63	128	100	≤ 17.6
3005075000001	75	143	110	≤ 17.6
3005090000001	90	176	133	≤ 17.6
3005110000001	110	200	154	≤ 17.6
3005125000001	125	228	178	≤ 17.6
3005160000001	160	280	217	≤ 26
3005180000001	180	307	240	≤ 26