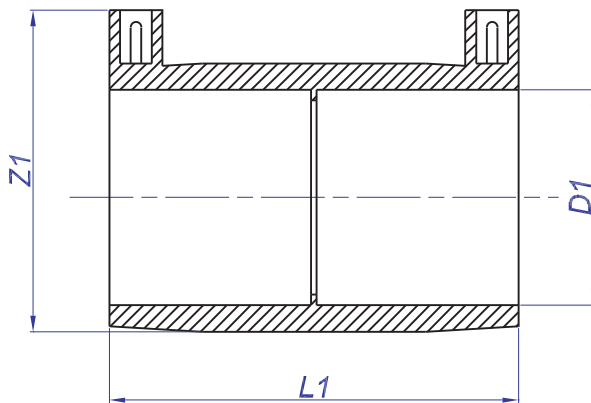


**COD. 3001**



COUPLING  
MUFFE  
МУФТА



**PE100 - SDR11 - S5**

WATER: PFA (PN)=16 bar 20°C

GAS: MOP=10 bar; In Italy MOP=5 bar (D.M. 24/11/84 and further modification)

**PE100 - SDR11 - S5**

Wasser: PFA (ND)=16 bar 20° C

Gas: MBD=10 bar; in Italien MBD=5bar  
(Ministerialdekret 24/11/84 mit nachfolgenden Änderungen)

**PE100 - SDR11 - S5**

Вода: PFA (PN) = 16 бар 20°C

Газ: MOP = 10 бар; Италия MOP = 5bar (DM 24/11/84 и последующие поправки)

COD	D1	L1	Z1	W-SDR
300102000001	20	82	49	≤ 11
3001025000001	25	82	54	≤ 11
3001032000001	32	81	63	≤ 11
3001040000001	40	89	71	≤ 17.6
3001050000001	50	99	64	≤ 17.6
3001063000001	63	104	100	≤ 17.6
3001075000001	75	123	113	≤ 17.6
3001090000001	90	124	133	≤ 17.6
3001110000001	110	164	154	≤ 17.6
3001125000001	125	155	176	≤ 17.6
3001140000001	140	194	183	≤ 26
3001160000001	160	186	214	≤ 26
3001180000001	180	207	240	≤ 26
3001200000001	200	210	262	≤ 26
3001225000001	225	217	284	≤ 26
3001250000001	250	218	312	≤ 26
3001315000001	315	265	387	≤ 26
3001355000001	355	-	-	-
3001400000001	400	-	-	-