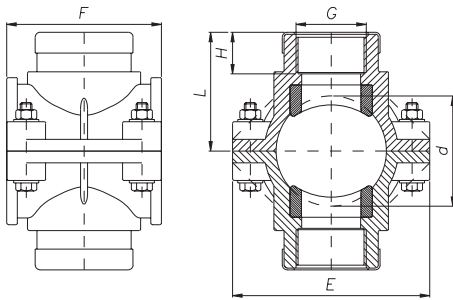


## CODE 1032



Presca a staffa doppia con anello di rinforzo PN 16 bar - Collier de prise double avec bague de renforcement PN 16 bar  
Collarin doble de toma con anillo de refuerzo PN 16 bar



CODE	dxG [mm]	L [mm]	H [mm]	E [mm]	F [mm]	n [mm]	PN [bar]
1032020002001	20x1/2"	45	25	80	54	2	16
1032025002001	25x1/2"	37	19	80	54	2	16
1032025003001	25x3/4"	43	22	80	54	2	16
1032032002001	32x1/2"	52	24	80	64	4	16
1032032003001	32x3/4"	46	18	80	64	4	16
1032040002001	40x1/2"	51	17	87	74	4	16
1032040003001	40x3/4"	53	20	87	74	4	16
1032040004001	40x1"	60	21	87	74	4	16
1032050002001	50x1/2"	65	24	102	78	4	16
1032050003001	50x3/4"	66	26	102	78	4	16
1032050004001	50x1"	65	24	102	78	4	16
1032063002001	63x1/2"	70	24	116	88	4	16
1032063003001	63x3/4"	86	23	116	88	4	16
1032063004001	63x1"	58	20	116	88	4	16
1032063005001	63x1"1/4	70	26	116	88	4	16
1032063006001	63x1"1/2	63	28	116	88	4	16
1032075002001	75x1/2"	81	25	130	88	4	16
1032075003001	75x3/4"	81	26	130	88	4	16
1032075004001	75x1"	80	26	130	88	4	16
1032075005001	75x1"1/4	81	26	130	88	4	16
1032075006001	75x1"1/2	80	26	130	88	4	16
1032075007001	75x2"	84	30	130	88	4	16
1032090002001	90x1/2"	90	25	150	88	4	16
1032090003001	90x3/4"	90	27	150	88	4	16
1032090004001	90x1"	90	27	150	88	4	16
1032090005001	90x1"1/4	90	24	150	88	4	16
1032090006001	90x1"1/2	90	30	150	88	4	16
1032090007001	90x2"	90	29	150	88	4	16
1032110002001	110x1/2"	100	24	175	107	6	16
1032110003001	110x3/4"	100	27	175	107	6	16
1032110004001	110x1"	100	25	175	107	6	16
1032110005001	110x1"1/4	100	26	175	107	6	16
1032110006001	110x1"1/2	105	30	175	107	6	16
1032110007001	110x2"	105	30	175	107	6	16